

PARTS LIST

CAUTION

- The parts identified by the \triangle symbol are important for the safety. Whenever replacing these parts, be sure to use specified ones to secure the safety.
- The parts not indicated in this Parts List and those which are filled with lines — in the Parts No. columns will not be supplied.
- P. W. Board Ass'y will not be supplied, but those which are filled with the Parts No. in the Parts No. columns will be supplied.

ABBREVIATIONS OF RESISTORS, CAPACITORS AND TOLERANCES

RESISTORS		CAPACITORS	
C R	Carbon Resistor	C CAP.	Ceramic Capacitor
F R	Fusible Resistor	E CAP.	Electrolytic Capacitor
P R	Plate Resistor	M CAP.	Mylar Capacitor
V R	Variable Resistor	HV CAP.	High Voltage Capacitor
HV R	High Voltage Resistor	MF CAP.	Metalized Film Capacitor
MF R	Metal Film Resistor	MM CAP.	Metalized Mylar Capacitor
MG R	Metal Glazed Resistor	MP CAP.	Metalized Polystyrol Capacitor
MP R	Metal Plate Resistor	PP CAP.	Polypropylene Capacitor
OM R	Metal Oxide Film Resistor	PS CAP.	Polystyrol Capacitor
CMF R	Coating Metal Film Resistor	TF CAP.	Thin Film Capacitor
UNF R	Non-Flammable Resistor	MPP CAP.	Metalized Polypropylene Capacitor
CH V R	Chip Variable Resistor	TAN. CAP.	Tantalum Capacitor
CH MG R	Chip Metal Glazed Resistor	CH C CAP.	Chip Ceramic Capacitor
COMP. R	Composition Resistor	BP E CAP.	Bi-Polar Electrolytic Capacitor
LPTC R	Linear Positive Temperature Coefficient Resistor	CH AL E CAP.	Chip Aluminum Electrolytic Capacitor
NETW R	Network Resistor	CH AL BP CAP.	Chip Aluminum Bi-Polar Capacitor
		CH TAN. E CAP.	Chip Tantalum Electrolytic Capacitor
		CH AL BP E CAP.	Chip Tantalum Bi-Polar Electrolytic Capacitor

TOLERANCES									
F	G	J	K	M	N	R	H	Z	P
±1%	±2%	±5%	±10%	±20%	±30%	+30%	+50%	+80%	+100%
						-10%	-10%	-20%	-0%

CONTENTS

- P.W. BOARDS 29
- EXPLODED VIEW PARTS LIST-I 29
- EXPLODED VIEW-I 29
- EXPLODED VIEW PARTS LIST-II 30
- EXPLODED VIEW-II 31
- PRINTED WIRING BOARD PARTS LIST
 - MAIN PW BOARD ASS'Y 32
 - CRT SOCKET PW BOARD ASS'Y 35
 - FRONT CONTROL PW BOARD ASS'Y 37
- PACKING / PACKING PARTS LIST 38
- REMOTE CONTROL UNIT PARTS LIST 38

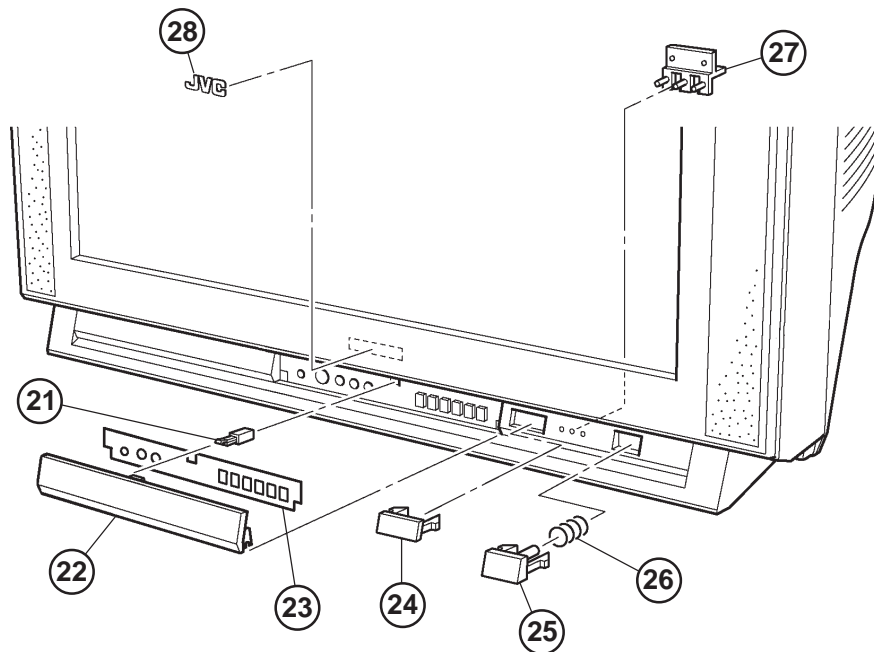
P.W. BOARDS

P.W.B. Ass'y	Part No.
MAIN P.W.B.	SCG-1232A-H2
CRT SOCKET P.W.B.	SCG-3001A-H2
FRONT CONTROL P.W.B.	SCG-8001A-H2

EXPLODED VIEW PARTS LIST-I

△ Ref.No.	Part No.	Part Name	Description	Local
21	CM48229-00A-C	DOOR LATCH		
22	LC20336-011A-H	DOOR	(Service)	
23	LC30694-009A-H	OPERATION SHEET		
24	LC30303-001A-H	E. E. WINDOW		
25	LC30302-017A	POWER KNOB	(Service)	
26	CM35235-003-H	SPRING		
27	LC30693-001A-H	LED LENS		
28	CM48125-009	JVC MARK		

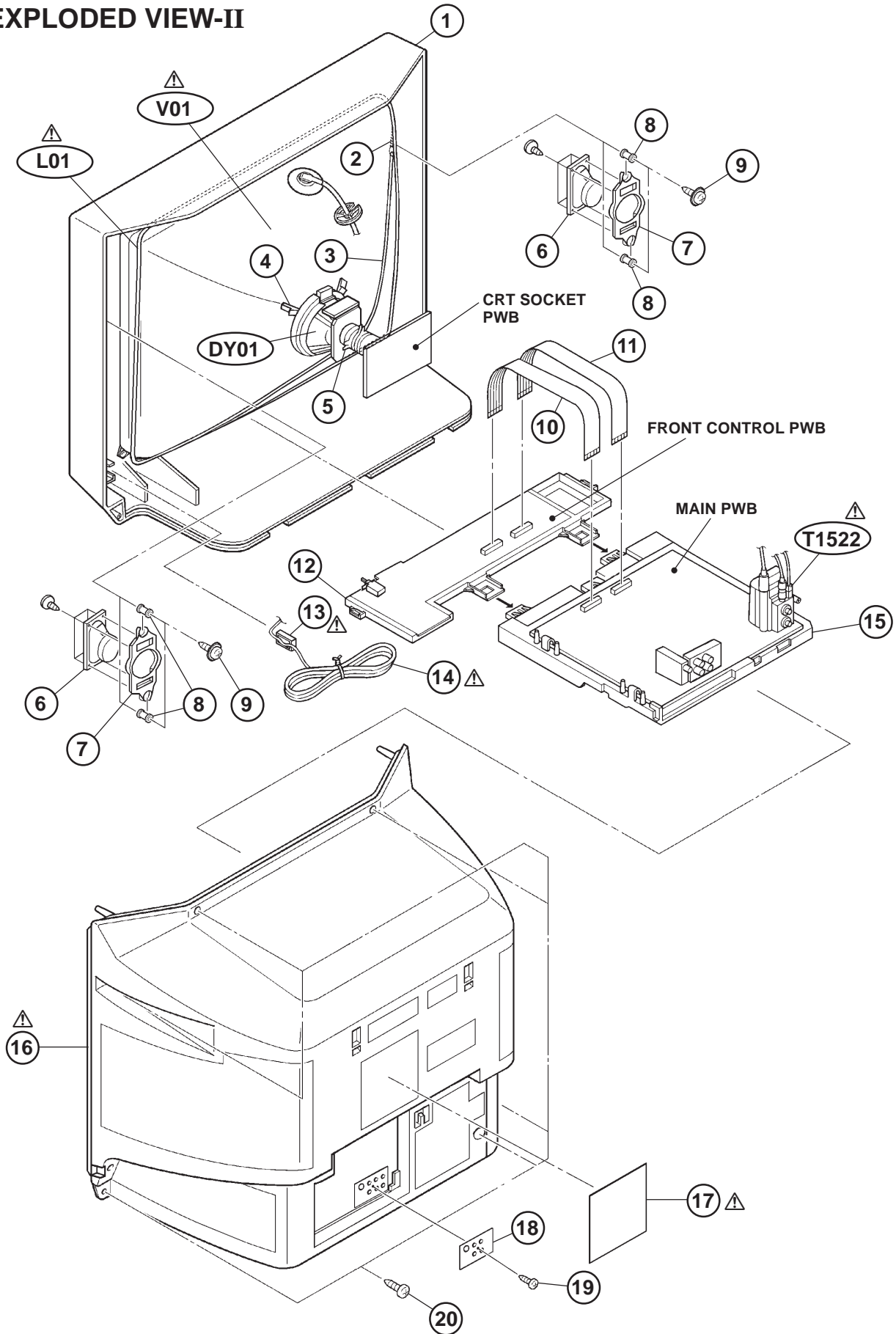
EXPLODED VIEW-I



EXPLODED VIEW PARTS LIST-II

△ Ref.No.	Part No.	Part Name	Description	Local
△ V01	A51LSK955X	PICTURE TUBE	or A51LSK655X	
DY01	QQ00035-001	DEFLECTION YOKE		
△ L01	QQW0067-001	DEG COIL		
△ T1522	QQH0080-001	H.V. TRANSF.		
1	LC10549-015A-H	FRONT CABI ASSY		
2	A48457-3-H	SPRING		
3	CHGB0016-0B-FH	BRAIDED ASSY		
4	CE40764-00A	WEDGE ASSY	(x3)	
5	CE42378-00B	PC MAGNET		
6	QAS0033-001	SPEAKER	(x2) SP01	
7	LC20371-001D-H	SP HOLDER	(x2)	
8	LC40226-001A	SPACER	(x4)	
9	LC40317-002A-H	TAPPING SCREW	(x4)	
10	CHFD125-12BD	FFC WIRE		
11	CHFD119-14BD	FFC WIRE		
12	LC10478-002A-H	CONTROL BASE		
△ 13	CM47005-A01-H	CORD CLAMP		
△ 14	QMP40D0-200J5	POWER CORD	or QMP40D0-200J3	
15	CM12624-C02-VH	PB BASE		
△ 16	LC10551-003A-H	REAR COVER		
△ 17	LC20377-010B-H	RATING LABEL		
18	GG30013-001A-H	TERMINAL SHEET		
19	QYSBSF3012M	TAPPING SCREW		
20	QYSBSFG4016Z	TAPPING SCREW	(x7)	

EXPLODED VIEW-II



PRINTED WIRING BOARD PARTS LIST

MAIN P.W. BOARD ASS'Y (SCG-1232A-H2)

Symbol No.	Part No.	Part Name	Description	Local	Symbol No.	Part No.	Part Name	Description	Local
RESISTOR					RESISTOR				
R1002	NRSA02J-221X	CH MG R	220Ω 1/10W	J	R1482	QRE121J-103Y	C R	10kΩ 1/2W	J
R1003	NRSA02J-221X	CH MG R	220Ω 1/10W	J	R1483	QRL039J-330	OM R	33Ω 3W	J
R1004	NRSA02J-563X	CH MG R	56kΩ 1/10W	J	R1484	NRSA02J-OROX	CH MG R	0.0Ω 1/10W	J
R1102	NRSA02J-750X	CH MG R	75Ω 1/10W	J	R1501	QRE121J-221Y	C R	220Ω 1/2W	J
R1103	NRSA02J-100X	CH MG R	10Ω 1/10W	J	R1502	NRSA02J-OROX	CH MG R	0.0Ω 1/10W	J
R1109	NRSA02J-682X	CH MG R	6.8kΩ 1/10W	J	R1503	NRSA02J-682X	CH MG R	6.8kΩ 1/10W	J
R1110	NRSA02J-272X	CH MG R	2.7kΩ 1/10W	J	R1520	QRE121J-271Y	C R	270Ω 1/2W	J
R1111	NRSA02J-181X	CH MG R	180Ω 1/10W	J	R1521	NRSA02J-221X	CH MG R	220Ω 1/10W	J
R1112	NRSA02J-100X	CH MG R	10Ω 1/10W	J	R1522	NRSA02J-272X	CH MG R	2.7kΩ 1/10W	J
R1113	NRSA02J-101X	CH MG R	100Ω 1/10W	J	R1525	QRL02EJ-330X	OM R	33Ω 2W	J
R1114	NRSA02J-472X	CH MG R	4.7kΩ 1/10W	J	R1528	QRE121J-471Y	C R	470Ω 1/2W	J
R1115	NRSA02J-222X	CH MG R	2.2kΩ 1/10W	J	R1530	QRE121J-223Y	C R	22kΩ 1/2W	J
R1117	NRSA02J-OROX	CH MG R	0.0Ω 1/10W	J	R1531	NRSA02J-OROX	CH MG R	0.0Ω 1/10W	J
R1118	NRSA02J-222X	CH MG R	2.2kΩ 1/10W	J	R1542	QRG01GJ-331	OM R	330Ω 1W	J
R1120	NRSA02J-391X	CH MG R	390Ω 1/10W	J	R1551	QRT029J-1R0	MF R	1.0Ω 2W	J
R1121	NRSA02J-221X	CH MG R	220Ω 1/10W	J	R1552	QRJ146J-2R2X	C R	2.2Ω 1/4W	J
R1159	NRSA02J-184X	CH MG R	180kΩ 1/10W	J	R1554	QRE121J-182Y	C R	1.8kΩ 1/2W	J
R1161	NRSA02J-102X	CH MG R	1kΩ 1/10W	J	R1571	QRE121J-103Y	C R	10kΩ 1/2W	J
R1162	NRSA02J-122X	CH MG R	1.2kΩ 1/10W	J	R1572	QRF074K-3R3	UNF R	3.3Ω 7W	K
R1163	NRSA02J-222X	CH MG R	2.2kΩ 1/10W	J	R1575	NRSA02J-222X	CH MG R	2.2kΩ 1/10W	J
R1164	NRSA02J-221X	CH MG R	220Ω 1/10W	J	R1576	QRE121J-183Y	C R	18kΩ 1/2W	J
R1165	NRSA02J-220X	CH MG R	22Ω 1/10W	J	R1577	NRSA02J-182X	CH MG R	1.8kΩ 1/10W	J
R1166	NRSA02J-821X	CH MG R	820Ω 1/10W	J	R1578	NRSA02J-103X	CH MG R	10kΩ 1/10W	J
R1301	NRSA02J-221X	CH MG R	220Ω 1/10W	J	R1581	QRE121J-102Y	C R	1kΩ 1/2W	J
R1302	NRSA02J-472X	CH MG R	4.7kΩ 1/10W	J	R1582	NRSA02J-223X	CH MG R	22kΩ 1/10W	J
R1303	NRSA02J-101X	CH MG R	100Ω 1/10W	J	R1583	NRSA02J-183X	CH MG R	18kΩ 1/10W	J
R1304	NRSA02J-101X	CH MG R	100Ω 1/10W	J	R1650	QRX029J-4R7	OM R	4.7Ω 2W	J
R1305	NRSA02J-101X	CH MG R	100Ω 1/10W	J	R1651	NRSA02J-103X	CH MG R	10kΩ 1/10W	J
R1306	NRSA02J-221X	CH MG R	220Ω 1/10W	J	R1652	NRSA02J-OROX	CH MG R	0.0Ω 1/10W	J
R1307	NRSA02J-122X	CH MG R	1.2kΩ 1/10W	J	R1653	NRSA02J-OROX	CH MG R	0.0Ω 1/10W	J
R1308	NRSA02J-182X	CH MG R	1.8kΩ 1/10W	J	R1654	NRSA02J-103X	CH MG R	10kΩ 1/10W	J
R1312	NRSA02J-OROX	CH MG R	0.0Ω 1/10W	J	R1656	NRSA02J-221X	CH MG R	220Ω 1/10W	J
R1313	NRSA02J-102X	CH MG R	1kΩ 1/10W	J	R1657	NRSA02J-OROX	CH MG R	0.0Ω 1/10W	J
R1314	NRSA02J-102X	CH MG R	1kΩ 1/10W	J	R1658	QRE121J-471Y	C R	470Ω 1/2W	J
R1321	NRSA02J-152X	CH MG R	1.5kΩ 1/10W	J	R1659	QRE121J-1R0Y	C R	1.0Ω 1/2W	J
R1322	NRSA02J-272X	CH MG R	2.7kΩ 1/10W	J	R1661	NRSA02J-102X	CH MG R	1kΩ 1/10W	J
R1323	NRSA02J-103X	CH MG R	10kΩ 1/10W	J	R1662	NRSA02J-102X	CH MG R	1kΩ 1/10W	J
R1324	NRSA02J-102X	CH MG R	1kΩ 1/10W	J	R1663	NRSA02J-103X	CH MG R	10kΩ 1/10W	J
R1326	NRSA02J-101X	CH MG R	100Ω 1/10W	J	R1664	NRSA02J-391X	CH MG R	390Ω 1/10W	J
R1327	NRSA02J-475X	CH MG R	4.7MΩ 1/10W	J	R1665	NRSA02J-123X	CH MG R	12kΩ 1/10W	J
R1341	NRSA02J-332X	CH MG R	3.3kΩ 1/10W	J	R1704	NRSA02J-221X	CH MG R	220Ω 1/10W	J
R1372	NRSA02J-OROX	CH MG R	0.0Ω 1/10W	J	R1705	NRSA02J-221X	CH MG R	220Ω 1/10W	J
R1374	NRSA02J-392X	CH MG R	3.9kΩ 1/10W	J	R1706	NRSA02J-561X	CH MG R	560Ω 1/10W	J
R1410	NRSA02J-183X	CH MG R	18kΩ 1/10W	J	R1707	NRSA02J-561X	CH MG R	560Ω 1/10W	J
R1414	NRSA02J-OROX	CH MG R	0.0Ω 1/10W	J	R1708	NRSA02J-102X	CH MG R	1kΩ 1/10W	J
R1426	NRSA02J-OROX	CH MG R	0.0Ω 1/10W	J	R1709	NRSA02J-472X	CH MG R	4.7kΩ 1/10W	J
R1430	NRSA02J-123X	CH MG R	12kΩ 1/10W	J	R1710	NRSA02J-472X	CH MG R	4.7kΩ 1/10W	J
R1431	NRSA02J-273X	CH MG R	27kΩ 1/10W	J	R1711	NRSA02J-472X	CH MG R	4.7kΩ 1/10W	J
R1432	QRE121J-6R8Y	C R	6.8Ω 1/2W	J	R1712	NRSA02J-472X	CH MG R	4.7kΩ 1/10W	J
R1433	QRE121J-6R8Y	C R	6.8Ω 1/2W	J	R1713	NRSA02J-472X	CH MG R	4.7kΩ 1/10W	J
R1436	NRSA02J-823X	CH MG R	82kΩ 1/10W	J	R1714	NRSA02J-472X	CH MG R	4.7kΩ 1/10W	J
R1440	QRE121J-471Y	C R	470Ω 1/2W	J	R1715	NRSA02J-221X	CH MG R	220Ω 1/10W	J
R1441	NRSA02J-183X	CH MG R	18kΩ 1/10W	J	R1716	NRSA02J-221X	CH MG R	220Ω 1/10W	J
R1442	NRSA02J-183X	CH MG R	18kΩ 1/10W	J	R1718	NRSA02J-561X	CH MG R	560Ω 1/10W	J
R1443	QRE121J-1R0Y	C R	1.0Ω 1/2W	J	R1719	NRSA02J-102X	CH MG R	1kΩ 1/10W	J
R1453	NRSA02J-272X	CH MG R	2.7kΩ 1/10W	J	R1720	NRSA02J-472X	CH MG R	4.7kΩ 1/10W	J
R1460	NRSA02J-103X	CH MG R	10kΩ 1/10W	J	R1721	NRSA02J-102X	CH MG R	1kΩ 1/10W	J
R1461	NRSA02J-562X	CH MG R	5.6kΩ 1/10W	J	R1722	NRSA02J-102X	CH MG R	1kΩ 1/10W	J
R1462	NRSA02J-183X	CH MG R	18kΩ 1/10W	J	R1723	QRZ9023-270	F R	27Ω 2W	J
R1463	NRSA02J-221X	CH MG R	220Ω 1/10W	J	R1724	NRSA02J-102X	CH MG R	1kΩ 1/10W	J
R1464	NRSA02J-221X	CH MG R	220Ω 1/10W	J	R1725	NRSA02J-102X	CH MG R	1kΩ 1/10W	J
R1465	NRSA02J-331X	CH MG R	330Ω 1/10W	J	R1726	NRSA02J-472X	CH MG R	4.7kΩ 1/10W	J
R1466	QRE121J-2R2Y	C R	2.2Ω 1/2W	J	R1728	NRSA02J-102X	CH MG R	1kΩ 1/10W	J
R1468	NRSA02J-221X	CH MG R	220Ω 1/10W	J	R1729	NRSA02J-102X	CH MG R	1kΩ 1/10W	J
R1469	NRSA02J-102X	CH MG R	1kΩ 1/10W	J	R1737	NRSA02J-104X	CH MG R	100kΩ 1/10W	J
R1470	NRSA02J-OROX	CH MG R	0.0Ω 1/10W	J	R1738	NRSA02J-103X	CH MG R	10kΩ 1/10W	J
R1472	NRSA02J-153X	CH MG R	15kΩ 1/10W	J	R1739	NRSA02J-103X	CH MG R	10kΩ 1/10W	J
R1474	NRSA02J-OROX	CH MG R	0.0Ω 1/10W	J	R1740	NRSA02J-392X	CH MG R	3.9kΩ 1/10W	J
R1475	NRSA02J-OROX	CH MG R	0.0Ω 1/10W	J	R1741	NRSA02J-561X	CH MG R	560Ω 1/10W	J
R1478	QRE121J-103Y	C R	10kΩ 1/2W	J	R1742	NRSA02J-563X	CH MG R	56kΩ 1/10W	J
R1479	NRSA02J-102X	CH MG R	1kΩ 1/10W	J	R1746	NRSA02J-103X	CH MG R	10kΩ 1/10W	J
R1480	QRE121J-392Y	C R	3.9kΩ 1/2W	J	R1747	NRSA02J-OROX	CH MG R	0.0Ω 1/10W	J
R1481	NRSA02J-102X	CH MG R	1kΩ 1/10W	J	R1748	NRSA02J-103X	CH MG R	10kΩ 1/10W	J

Symbol No.	Part No.	Part Name	Description	Local
RESISTOR				
R1749	NRSA02J-472X	CH MG R	4.7kΩ 1/10W J	
R1791	NRSA02J-221X	CH MG R	220Ω 1/10W J	
R1792	NRSA02J-221X	CH MG R	220Ω 1/10W J	
R1793	NRSA02J-221X	CH MG R	220Ω 1/10W J	
R1794	NRSA02J-221X	CH MG R	220Ω 1/10W J	
R1795	NRSA02J-221X	CH MG R	220Ω 1/10W J	
R1796	NRSA02J-103X	CH MG R	10kΩ 1/10W J	
R1797	NRSA02J-153X	CH MG R	15kΩ 1/10W J	
R1806	QRE121J-271Y	C R	270Ω 1/2W J	
R1807	NRSA02J-680X	CH MG R	68Ω 1/10W J	
R1810	QRG01GJ-560	OM R	56Ω 1W J	
R1811	NRSA02J-221X	CH MG R	220Ω 1/10W J	
R1815	QRE121J-181Y	C R	180Ω 1/2W J	
R1816	NRSA02J-681X	CH MG R	680Ω 1/10W J	
R1817	NRSA02J-472X	CH MG R	4.7kΩ 1/10W J	
R1901	QRF104K-3R9	UNF R	3.9kΩ 10W K	
R1903	QRL03EJ-333X	OM R	33kΩ 3W J	
R1921	QRE121J-681Y	C R	680Ω 1/2W J	
R1923	QRM059J-R22	MP R	0.22Ω 5W J	
R1926	NRSA02J-152X	CH MG R	1.5kΩ 1/10W J	
R1929	QRE121J-822Y	C R	8.2kΩ 1/2W J	
R1932	QRE121J-474Y	C R	470kΩ 1/2W J	
R1934	NRSA02J-563X	CH MG R	56kΩ 1/10W J	
R1936	QRE121J-182Y	C R	1.8kΩ 1/2W J	
R1941	QRE121J-821Y	C R	820Ω 1/2W J	
R1942	NRSA02J-122X	CH MG R	1.2kΩ 1/10W J	
R1943	NRSA02J-473X	CH MG R	47kΩ 1/10W J	
R1944	NRSA02J-103X	CH MG R	10kΩ 1/10W J	
R1976	NRSA02J-102X	CH MG R	1kΩ 1/10W J	
R1979	QRT02EJ-3R9X	MF R	3.9Ω 2W J	
R1980	QRL02EJ-223X	OM R	22kΩ 2W J	
Δ R1991	QRZ0057-825	C R	8.2MΩ 1W J	

CAPACITOR

C1001	QETN1HM-106Z	E CAP.	10μF 50V M	
C1002	NCB21HK-103X	CH C CAP.	0.01μF 50V K	
C1004	QETN1CM-227Z	E CAP.	220μF 16V M	
C1005	QFV71HJ-104Z	TF CAP.	0.1μF 50V J	
C1008	QETN1HM-475Z	E CAP.	4.7μF 50V M	
C1103	QETN1EM-476Z	E CAP.	47μF 25V M	
C1104	NCB21HK-472X	CH C CAP.	4700pF 50V K	
C1105	NCB21HK-472X	CH C CAP.	4700pF 50V K	
C1106	NCB21HK-472X	CH C CAP.	4700pF 50V K	
C1107	NCB21HK-472X	CH C CAP.	4700pF 50V K	
C1109	NCB21HK-472X	CH C CAP.	4700pF 50V K	
C1110	NRSA02J-0R0X	CH MG R	0.0Ω 1/10W J	
C1112	QETN1EM-476Z	E CAP.	47μF 25V M	
C1113	NCB21HK-472X	CH C CAP.	4700pF 50V K	
C1115	NCB21HK-103X	CH C CAP.	0.01μF 50V K	
C1116	NCB21HK-103X	CH C CAP.	0.01μF 50V K	
C1117	QFV71HJ-224Z	TF CAP.	0.22μF 50V J	
C1119	QETN1HM-474Z	E CAP.	0.47μF 50V M	
C1120	NDC21HJ-121X	CH C CAP.	120pF 50V J	
C1121	NCB21HK-103X	CH C CAP.	0.01μF 50V K	
C1122	NCB21HK-103X	CH C CAP.	0.01μF 50V K	
C1161	NCB21HK-103X	CH C CAP.	0.01μF 50V K	
C1162	NCB21HK-152X	CH C CAP.	1500pF 50V K	
C1164	NCB21HK-103X	CH C CAP.	0.01μF 50V K	
C1165	NCB21HK-103X	CH C CAP.	0.01μF 50V K	
C1166	NCB21HK-104X	CH C CAP.	0.1μF 50V K	
C1301	NCB21HK-123X	CH C CAP.	0.012μF 50V K	
C1302	QETN1HM-475Z	E CAP.	4.7μF 50V M	
C1303	NDC21HJ-100X	CH C CAP.	10pF 50V J	
C1304	QFV71HJ-474Z	TF CAP.	0.47μF 50V J	
C1305	QETN1HM-474Z	E CAP.	0.47μF 50V M	
C1306	NCB21HK-103X	CH C CAP.	0.01μF 50V K	
C1307	QETN1CM-477Z	E CAP.	470μF 16V M	
C1308	QETN1CM-107Z	E CAP.	100μF 16V M	
C1309	NCB21HK-103X	CH C CAP.	0.01μF 50V K	
C1310	NDC21HJ-221X	CH C CAP.	220pF 50V J	
C1311	NCB21HK-103X	CH C CAP.	0.01μF 50V K	
C1312	QENC1HM-474Z	BP E CAP.	0.47μF 50V M	
C1313	QETN1HM-335Z	E CAP.	3.3μF 50V M	
C1314	NCB21HK-103X	CH C CAP.	0.01μF 50V K	

Symbol No.	Part No.	Part Name	Description	Local
CAPACITOR				
C1315	QETN1CM-107Z	E CAP.	100μF 16V M	
C1316	QETN1HM-106Z	E CAP.	10μF 50V M	
C1317	NCB21HK-473X	CH C CAP.	0.047μF 50V K	
C1321	NDC21HJ-120X	CH C CAP.	12pF 50V J	
C1322	NCB21HK-273X	CH C CAP.	0.027μF 50V K	
C1323	QETN1HM-474Z	E CAP.	0.47μF 50V M	
C1324	QETN1HM-106Z	E CAP.	10μF 50V M	
C1325	QENC1HM-106Z	BP E CAP.	10μF 50V M	
C1326	NCS21HJ-221X	CH C CAP.	220pF 50V J	
C1341	QETN1HM-106Z	E CAP.	10μF 50V M	
C1365	QENC1HM-105Z	BP E CAP.	1μF 50V M	
C1366	QENC1HM-105Z	BP E CAP.	1μF 50V M	
C1367	QENC1HM-105Z	BP E CAP.	1μF 50V M	
C1401	QFV71HJ-474Z	TF CAP.	0.47μF 50V J	
C1402	QFLC2AJ-123Z	M CAP.	0.012μF 100V J	
C1423	QCS32HJ-100Z	C CAP.	10pF 500V J	
C1424	QFLC2AJ-103Z	M CAP.	0.01μF 100V J	
C1425	QCB31HK-103Z	C CAP.	0.01μF 50V K	
C1426	QFLC1HJ-102Z	M CAP.	1000pF 50V J	
C1427	QETN1VM-107Z	E CAP.	100μF 35V M	
C1428	QHR1VM-107Z	E CAP.	100μF 35V M	
C1429	QETN1HM-106Z	E CAP.	10μF 50V M	
C1430	QFLC2AJ-104Z	M CAP.	0.1μF 100V J	
C1433	QHR1HM-475Z	E CAP.	4.7μF 50V M	
C1435	QETM1EM-228	E CAP.	2200μF 25V M	
C1436	QFV71HJ-334Z	TF CAP.	0.33μF 50V J	
C1462	QFLC1HJ-333Z	M CAP.	0.033μF 50V J	
C1464	QFV71HJ-184Z	TF CAP.	0.18μF 50V J	
C1465	QFLC1HJ-823Z	M CAP.	0.082μF 50V J	
C1466	QETM1CM-228	E CAP.	2200μF 16V M	
C1467	QFN31HJ-102Z	M CAP.	1000pF 50V J	
C1469	QFLC1HJ-123Z	M CAP.	0.012μF 50V J	
C1470	QEM61EK-225Z	E CAP.	2.2μF 25V K	
C1471	NDC21HJ-680X	CH C CAP.	68pF 50V J	
C1472	QFLC1HJ-472Z	M CAP.	4700pF 50V J	
C1473	QCB31HK-561Z	C CAP.	560pF 50V K	
C1501	QETN1AM-227Z	E CAP.	220μF 10V M	
C1502	NCB21HK-103X	CH C CAP.	0.01μF 50V K	
C1503	QETN1HM-106Z	E CAP.	10μF 50V M	
C1520	QFLC1HJ-332Z	M CAP.	3300pF 50V J	
C1521	QFLC1HJ-223Z	M CAP.	0.022μF 50V J	
C1523	QETN1VM-476Z	E CAP.	47μF 35V M	
C1524	QFZ0200-51Z	MPP CAP.	5100pF 1.5kVH ±3%	
C1525	QFZ0200-51Z	MPP CAP.	5100pF 1.5kVH ±3%	
C1526	QFP32GJ-183	PP CAP.	0.018μF 400V J	
C1528	QEZ0195-475Z	E CAP.	4.7μF 50V M	
C1529	QETN2EM-475Z	E CAP.	4.7μF 250V M	
C1530	QCB32HK-561Z	C CAP.	560pF 500V K	
C1531	QEZ0203-107	E CAP.	100μF 160V M	
C1532	QFZ0199-304	MPP CAP.	0.3μF 250V J	
C1541	NCB21EK-104X	CH C CAP.	0.1μF 25V K	
C1542	QETN1EM-476Z	E CAP.	47μF 25V M	
C1552	QETN1VM-108	E CAP.	1000μF 35V M	
C1554	QETN2EM-106Z	E CAP.	10μF 250V M	
C1555	QFLC2AJ-104Z	M CAP.	0.1μF 100V J	
C1571	QETN1AM-107Z	E CAP.	100μF 10V M	
C1572	QETN1EM-476Z	E CAP.	47μF 25V M	
C1581	QFV71HJ-104Z	TF CAP.	0.1μF 50V J	
C1651	QETN1HM-106Z	E CAP.	10μF 50V M	
C1652	QTN1CM-105Z	BP E CAP.	1μF 50V M	
C1653	QETN1EM-476Z	E CAP.	47μF 25V M	
C1655	QETN1EM-476Z	E CAP.	47μF 25V M	
C1656	NCB21HK-104X	CH C CAP.	0.1μF 50V K	
C1657	NCB21HK-104X	CH C CAP.	0.1μF 50V K	
C1659	QETN1HM-226Z	E CAP.	22μF 50V M	
C1661	QETN1EM-477Z	E CAP.	470μF 25V M	
C1662	QETM1EM-228	E CAP.	2200μF 25V M	
C1663	QETN1CM-107Z	E CAP.	100μF 16V M	
C1665	QHR1HM-105Z	E CAP.	1μF 50V M	
C1666	NCB21HK-103X	CH C CAP.	0.01μF 50V K	
C1705	QETN1CM-477Z	E CAP.	470μF 16V M	
C1706	NCB21EK-104X	CH C CAP.	0.1μF 25V K	
C1707	NCB21HK-103X	CH C CAP.	0.01μF 50V K	
C1708	QETN1EM-476Z	E CAP.	47μF 25V M	
C1709	NCB21HK-103X	CH C CAP.	0.01μF 50V K	

Symbol No.	Part No.	Part Name	Description	Local
CAPACITOR				
C1710	QETN1CM-107Z	E CAP.	100μF 16V	M
C1711	NCB21HK-103X	CH C CAP.	0.01μF 50V	K
C1712	NCB21HK-103X	CH C CAP.	0.01μF 50V	K
C1713	NCB21HK-103X	CH C CAP.	0.01μF 50V	K
C1714	NDC21HJ-330X	CH C CAP.	33pF 50V	J
C1715	NDC21HJ-330X	CH C CAP.	33pF 50V	J
C1716	NDC21HJ-181X	CH C CAP.	180pF 50V	J
C1717	NDC21HJ-181X	CH C CAP.	180pF 50V	J
C1720	NCB21HK-103X	CH C CAP.	0.01μF 50V	K
C1721	NCB21HK-333X	CH C CAP.	0.033μF 50V	K
C1722	NDC21HJ-101X	CH C CAP.	100pF 50V	J
C1724	NDC21HJ-560X	CH C CAP.	56pF 50V	J
C1728	NDC21HJ-181X	CH C CAP.	180pF 50V	J
C1729	NDC21HJ-181X	CH C CAP.	180pF 50V	J
C1730	NCB21HK-103X	CH C CAP.	0.01μF 50V	K
C1731	NDC21HJ-390X	CH C CAP.	39pF 50V	J
C1738	QETN1HM-226Z	E CAP.	22μF 50V	M
C1741	QETN1HM-106Z	E CAP.	10μF 50V	M
C1742	QETN1HM-106Z	E CAP.	10μF 50V	M
C1743	QETN1HM-106Z	E CAP.	10μF 50V	M
C1744	NCB21HK-103X	CH C CAP.	0.01μF 50V	K
C1805	QETN1CM-227Z	E CAP.	220μF 16V	M
C1806	QETN1CM-477Z	E CAP.	470μF 16V	M
C1811	QETN1HM-106Z	E CAP.	10μF 50V	M
C1850	NCB21HK-152X	CH C CAP.	1500pF 50V	K
△ C1901	QFZ9075-104	MPP CAP.	0.1μF AC275V	M
C1904	QCZ9078-222	C CAP.	2200pF AC250V	M
C1905	QCZ9078-222	C CAP.	2200pF AC250V	M
C1907	QCZ9078-222	C CAP.	2200pF AC250V	M
C1909	QEZO199-157	E CAP.	150μF 400V	M
△ C1910	QFZ9075-104	MPP CAP.	0.1μF AC275V	M
C1920	QETN1EM-227Z	E CAP.	220μF 25V	M
C1922	QFLC1HJ-471Z	M CAP.	470pF 50V	J
C1924	QETN1EM-227Z	E CAP.	220μF 50V	M
C1926	QFLC1HJ-272Z	M CAP.	2700pF 50V	J
C1928	NCB21HK-103X	CH C CAP.	0.01μF 50V	K
C1932	QCZ0340-222	C CAP.	2200pF 2kV	K
C1941	QCZ0340-561	C CAP.	560pF 2kV	K
C1942	QEZO203-107	E CAP.	100μF 160V	M
C1945	QEHR1CM-108Z	E CAP.	1000μF 16V	M
C1946	QEHR1CM-477Z	E CAP.	470μF 16V	M
C1948	QEHR1VM-108Z	E CAP.	1000μF 35V	M
C1949	NDC21HJ-471X	CH C CAP.	470pF 50V	J
C1950	NCB21HK-104X	CH C CAP.	0.1μF 50V	K
C1976	QETN1HM-105Z	E CAP.	1μF 50V	M
C1977	QETN1CM-107Z	E CAP.	100μF 16V	M
C1978	QETN1CM-227Z	E CAP.	220μF 16V	M
C1979	QETN1CM-107Z	E CAP.	100μF 16V	M
△ C1991	QCZ9079-471	C CAP.	470pF AC250V	K
△ C1992	QCZ9079-471	C CAP.	470pF AC250V	K
△ C1993	QCZ9079-102	C CAP.	1000pF AC250V	K

TRANSFORMER

T1521	CE40203-00CJ1	DRIVE TRANSF.
△ T1522	QQH0080-001	H.T. TRANSF.
△ T1921	QQS0085-001	SW TRANSF.

COIL

L1001	QQL244K-8R2Z	PEAKING COIL	8.2μH	K
L1101	QQLZ014-2R2	PEAKING COIL	2.2μH	
L1103	QQL244K-8R2Z	PEAKING COIL	8.2μH	K
L1452	QQL244K-470Z	PEAKING COIL		
L1521	QQLZ016-821	CHOKE COIL		
L1522	QQR1045-001	LINIARITY COIL		
L1551	QQLZ018-300	HEATER CHOKE		
L1701	QQL39BK-5R6Z	PEAKING COIL	5.6μH	K
L1941	QQL26AK-820Z	CHOKE COIL	82μH	K
L1942	QQL26AK-820Z	CHOKE COIL	82μH	K
L1943	QQL26AK-820Z	CHOKE COIL	82μH	K

Symbol No.	Part No.	Part Name	Description	Local
DIODE				
D1001	MA3330/L/-X	CHIP ZENER DIODE		
D1102	1SS85-T2	SI DIODE		
D1301	MA3091/M/-X	CHIP ZENER DIODE		
D1302	MA3091/M/-X	CHIP ZENER DIODE		
D1305	RB100A-T2	SI DIODE		
D1341	MA111-X	CHIP DIODE		
D1342	MA111-X	CHIP DIODE		
D1421	MA3360/M/-X	CHIP ZENER DIODE		
D1422	MA3360/M/-X	CHIP ZENER DIODE		
D1423	1SR124-400A-T2	SI DIODE		
D1425	MA111-X	CHIP DIODE		
D1426	MA111-X	CHIP DIODE		
D1427	MA3270/H/-X	CHIP ZENER DIODE		
D1461	MA3039/H/-X	CHIP ZENER DIODE		
D1462	MA3120/M/-X	CHIP ZENER DIODE		
D1521	ERB06-15-F1	SI DIODE		
D1524	RU3AM-LFC4	SI DIODE		
D1551	RGP10J-TS-T3	SI DIODE		
D1552	RH15-T3	SI DIODE		
D1553	MA3091/M/-X	CHIP ZENER DIODE		
D1554	MA111-X	CHIP DIODE		
D1555	RGP10J-TS-T3	SI DIODE		
D1571	MA3075/M/-X	CHIP ZENER DIODE		
D1581	MA3200/M/-X	CHIP ZENER DIODE		
D1582	RGP10J-TS-T3	SI DIODE		
D1651	MA111-X	CHIP DIODE		
D1652	MA111-X	CHIP DIODE		
D1653	MA3160/M/-X	DIODE		
D1706	MA111-X	CHIP DIODE		
D1707	MA111-X	CHIP DIODE		
D1731	MA111-X	CHIP DIODE		
D1791	MA3056/M/-X	CHIP ZENER DIODE		
D1792	MA3056/M/-X	CHIP ZENER DIODE		
D1793	MA3056/M/-X	CHIP ZENER DIODE		
D1794	MA3056/M/-X	CHIP ZENER DIODE		
D1795	MA3056/M/-X	CHIP ZENER DIODE		
D1901	D3SB60	BRIDGE DIODE		
D1920	RGP10J-TS-T3	SI DIODE		
D1921	RGP10J-TS-T3	SI DIODE		
D1924	MA111-X	CHIP DIODE		
D1927	MA3150/M/-X	CHIP ZENER DIODE		
D1929	RD12E/B2/-T5	ZENER DIODE		
D1931	EG01C-T2	SI DIODE		
D1932	MA111-X	CHIP DIODE		
D1933	RD27E/B2/-T5	ZENER DIODE		
D1935	1SS133-T2	SI DIODE		
D1941	RU3AM-LFC4	SI DIODE		
D1942	ERC30-02L38	SI DIODE		
D1943	RGP10J-TS-T3	SI DIODE		
D1945	MA3075/H/-X	CHIP ZENER DIODE		
D1948	MA111-X	CHIP DIODE		
D1982	MA111-X	CHIP DIODE		
D1983	MA111-X	CHIP DIODE		
D1984	MA111-X	CHIP DIODE		

TRANSISTOR

Q1102	2SC5083/L-P/-T	SI TRANSISTOR		
Q1103	DTC124EKA-X	DIGI TRANSISTOR		
Q1161	2SC2412K/QR/-X	CHIP TRANSISTOR		
Q1301	2SA1037AK/QR/-X	SI TRANSISTOR		
Q1302	2SC2412K/QR/-X	CHIP TRANSISTOR		
Q1401	DTC124EKA-X	DIGI TRANSISTOR		
Q1402	2SC2412K/QR/-X	CHIP TRANSISTOR		
Q1403	2SC2412K/QR/-X	CHIP TRANSISTOR		
Q1460	2SC2412K/QR/-X	CHIP TRANSISTOR		
Q1461	2SC2412K/QR/-X	CHIP TRANSISTOR		
Q1462	2SD1408/OY/-LB	POWER TRANSISTOR		
Q1463	2SC2412K/QR/-X	CHIP TRANSISTOR		
Q1464	2SC2412K/QR/-X	CHIP TRANSISTOR		
Q1522	2SD2578-YD	POWER TRANSISTOR		H.OUT
Q1525	2SC2655/Y/-T	SI TRANSISTOR		
Q1571	2SA1208/ST/Z1-T	SI TRANSISTOR		
Q1572	2SC2412K/QR/-X	CHIP TRANSISTOR		
Q1651	2SA1037AK/QR/-X	SI TRANSISTOR		

Symbol No.	Part No.	Part Name	Description	Local
------------	----------	-----------	-------------	-------

TRANSISTOR

Q1652	2SC2412K/QR/-X	CHIP TRANSISTOR		
Q1653	2SC2412K/QR/-X	CHIP TRANSISTOR		
Q1655	DTC323TK-X	DIGI TRANSISTOR		
Q1702	2SC2412K/QR/-X	CHIP TRANSISTOR		
Q1703	DTC124EKA-X	DIGI TRANSISTOR		
Q1803	2SC1815/YG/-T	SI TRANSISTOR		
Q1804	2SC2412K/QR/-X	CHIP TRANSISTOR		
Q1941	2SC2412K/QR/-X	CHIP TRANSISTOR		
Q1943	DTC124EKA-X	DIGI TRANSISTOR		

IC

IC1301	NN5198K	IC		
IC1421	LA7840	IC		
IC1451	TA8859CP	IC		
IC1541	AN78L12-T	IC		
IC1651	LA4287	IC		
IC1652	SI-5001X-X	IC		
IC1701	MN1873287JB1	IC (MICROCOMPUTER)		
IC1702	AT24C08-21PM	IC (MEMORY)	(Service)	
IC1703	L78LR05E-MA	IC (5V REG/RESET)		
IC1921	STR-F6707A/F7	IC (SW REG)		
IC1941	SE135N	IC		
IC1971	BA51W12ST-V5	IC (5V/9V REG)		

OTHERS

△ FR1556	QRZ9017-4R7	F R	4.7Ω	1/4W	J
CF1162	SFSH4.5MCB	CERAMIC FILTER			
CN1002	QGF1220C2-25	FFC/FPC CONNECTOR			
CN1003	QGF1220C2-19	FFC/FPC CONNECTOR			
△ CP1982	ICP-N75-Y	IC PROTECTOR			
J1002	QNN0375-001	PIN JACK			
K1001	CE41433-001Z	BEADS CORE			
K1421	QQR1113-001Z	FERRITE BEADS			
K1921	QQR1113-001Z	FERRITE BEADS			
K1941	QQR1113-001Z	FERRITE BEADS			
K1942	QQR1113-001Z	FERRITE BEADS			
K1943	QQR1113-001Z	FERRITE BEADS			
△ LF1901	QQR0527-003	LINE FILTER			
△ PC1921	PC123F2	PHOTO COUPLER			
SF1102	QAX0594-001	SAW FILTER			
SF1122	QAX0325-001	SAW FILTER			
TU1001	QAU0185-001	TUNER			
X1301	QAX0500-001Z	CRYSTAL			
X1302	CE42690-001Z	CRYSTAL			
X1701	FCR12.0M25	C RESONATOR			

CRT SOCKET P.W. BOARD ASS'Y (SCG-3001A-H2)

Symbol No.	Part No.	Part Name	Description	Local
------------	----------	-----------	-------------	-------

RESISTOR

R3101	NRSA02J-101X	CH MG R	100Ω	1/10W	J
R3102	NRSA02J-101X	CH MG R	100Ω	1/10W	J
R3103	NRSA02J-101X	CH MG R	100Ω	1/10W	J
R3107	QRE121J-102Y	C R	1kΩ	1/2W	J
R3108	QRE121J-102Y	C R	1kΩ	1/2W	J
R3109	QRE121J-102Y	C R	1kΩ	1/2W	J
R3110	NRSA02J-221X	CH MG R	220Ω	1/10W	J
R3111	NRSA02J-221X	CH MG R	220Ω	1/10W	J
R3112	NRSA02J-221X	CH MG R	220Ω	1/10W	J
R3113	NRSA02J-470X	CH MG R	47Ω	1/10W	J
R3114	NRSA02J-470X	CH MG R	47Ω	1/10W	J
R3115	NRSA02J-470X	CH MG R	47Ω	1/10W	J
R3116	QRL029J-153	OM R	15kΩ	2W	J
R3117	QRL029J-153	OM R	15kΩ	2W	J
R3118	QRL029J-153	OM R	15kΩ	2W	J
R3119	QRL029J-183	OM R	18kΩ	2W	J
R3120	QRL029J-183	OM R	18kΩ	2W	J
R3121	QRL029J-183	OM R	18kΩ	2W	J
R3125	QRZ0107-102Z	C R	1kΩ	1/2W	K
R3126	QRZ0107-102Z	C R	1kΩ	1/2W	K
R3127	QRZ0107-102Z	C R	1kΩ	1/2W	K
R3128	NRSA02J-123X	CH MG R	12kΩ	1/10W	J
R3129	NRSA02J-392X	CH MG R	3.9kΩ	1/10W	J
R3130	QRG01GJ-101	OM R	100Ω	1W	J
R3131	NRSA02J-101X	CH MG R	100Ω	1/10W	J
R3132	NRSA02J-101X	CH MG R	100Ω	1/10W	J
R3133	NRSA02J-101X	CH MG R	100Ω	1/10W	J
R3135	QRZ0107-474Z	C R	470kΩ	1/2W	K
R3404	NRSA02J-102X	CH MG R	1kΩ	1/10W	J
R3405	NRSA02J-153X	CH MG R	15kΩ	1/10W	J
R3407	NRSA02J-102X	CH MG R	1kΩ	1/10W	J
R3408	NRSA02J-222X	CH MG R	2.2kΩ	1/10W	J
R3409	NRSA02J-102X	CH MG R	1kΩ	1/10W	J
R3410	NRSA02J-472X	CH MG R	4.7kΩ	1/10W	J
R3411	NRSA02J-472X	CH MG R	4.7kΩ	1/10W	J
R3412	NRSA02J-821X	CH MG R	820Ω	1/10W	J
R3413	NRSA02J-822X	CH MG R	8.2kΩ	1/10W	J
R3414	NRSA02J-152X	CH MG R	1.5kΩ	1/10W	J
R3415	NRSA02J-152X	CH MG R	1.5kΩ	1/10W	J
R3416	NRSA02J-103X	CH MG R	10kΩ	1/10W	J
R3417	NRSA02J-151X	CH MG R	150Ω	1/10W	J
R3418	NRSA02J-151X	CH MG R	150Ω	1/10W	J
R3419	NRSA02J-151X	CH MG R	150Ω	1/10W	J
R3420	NRSA02J-183X	CH MG R	18kΩ	1/10W	J
R3421	NRSA02J-682X	CH MG R	6.8kΩ	1/10W	J
R3422	NRSA02J-682X	CH MG R	6.8kΩ	1/10W	J
R3423	NRSA02J-682X	CH MG R	6.8kΩ	1/10W	J

CAPACITOR

C3101	NCS21HJ-271X	CH C CAP.	270pF	50V	J
C3102	NCS21HJ-271X	CH C CAP.	270pF	50V	J
C3103	NCS21HJ-271X	CH C CAP.	270pF	50V	J
C3104	QETN1CM-107Z	E CAP.	100μF	16V	M
C3105	QETN1CM-107Z	E CAP.	100μF	16V	M
C3106	QFV71HJ-104Z	TF CAP.	0.1μF	50V	J
C3113	QCZ0121-102	C CAP.	1000pF	3kV	Z
C3114	QETM2EM-336	E CAP.	33μF	250V	M
C3411	NDC21HJ-390X	CH C CAP.	39pF	50V	J

DIODE

D3401	MA111-X	CHIP DIODE			
D3402	MA111-X	CHIP DIODE			
D3403	MA111-X	CHIP DIODE			
D3405	MA3150/M/-X	CHIP ZENER DIODE			
D3406	MA111-X	CHIP DIODE			
D3409	MA111-X	CHIP DIODE			
D3410	MA111-X	CHIP DIODE			
D3411	MA111-X	CHIP DIODE			
D3412	MA111-X	CHIP DIODE			
D3413	MA111-X	CHIP DIODE			
D3414	MA111-X	CHIP DIODE			

Symbol No.	Part No.	Part Name	Description	Local
TRANSISTOR				
Q3101	25C1740S/QR/-T	SI TRANSISTOR		
Q3102	25C1740S/QR/-T	SI TRANSISTOR		
Q3103	25C1740S/QR/-T	SI TRANSISTOR		
Q3104	25C5147/CDE/F43	POWER TRANSISTOR		
Q3105	25C5147/CDE/F43	POWER TRANSISTOR		
Q3106	25C5147/CDE/F43	POWER TRANSISTOR		
Q3404	25C1740S/QR/-T	SI TRANSISTOR		
Q3405	25C1740S/QR/-T	SI TRANSISTOR		
Q3406	25C2412K/QR/-X	CHIP TRANSISTOR		
Q3407	25C2412K/QR/-X	CHIP TRANSISTOR		

OTHERS

SK3001	CE42446-001	CRT SOCKET		
--------	-------------	------------	--	--

**FRONT CONTROL P.W. BOARD ASS'Y
(SCG-8001A-H2)**

Symbol No.	Part No.	Part Name	Description	Local
RESISTOR				
R8001	NRSA02J-391X	CH MG R	390Ω 1/10W	J
R8002	NRSA02J-821X	CH MG R	820Ω 1/10W	J
R8003	NRSA02J-103X	CH MG R	10kΩ 1/10W	J
R8004	NRSA02J-153X	CH MG R	15kΩ 1/10W	J
R8005	NRSA02J-472X	CH MG R	4.7kΩ 1/10W	J
R8006	NRSA02J-103X	CH MG R	10kΩ 1/10W	J
R8007	NRSA02J-153X	CH MG R	15kΩ 1/10W	J
R8008	NRSA02J-472X	CH MG R	4.7kΩ 1/10W	J
R8011	NRSA02J-682X	CH MG R	6.8kΩ 1/10W	J
R8012	NRSA02J-562X	CH MG R	5.6kΩ 1/10W	J
R8013	NRSA02J-392X	CH MG R	3.9kΩ 1/10W	J
R8014	NRSA02J-562X	CH MG R	5.6kΩ 1/10W	J
R8015	NRSA02J-103X	CH MG R	10kΩ 1/10W	J
R8018	QRK126J-271X	C R	270Ω 1/2W	J
R8019	QRK126J-271X	C R	270Ω 1/2W	J
R8021	NRSA02J-471X	CH MG R	470Ω 1/10W	J
R8022	NRSA02J-471X	CH MG R	470Ω 1/10W	J
R8023	NRSA02J-183X	CH MG R	18kΩ 1/10W	J
R8024	NRSA02J-473X	CH MG R	47kΩ 1/10W	J
R8401	NRSA02J-750X	CH MG R	75Ω 1/10W	J
R8901	QRZ0202-121	UNF R	120Ω 15W	J
R8903	QRE121J-560Y	C R	56Ω 1/2W	J
R8904	NRSA02J-682X	CH MG R	6.8kΩ 1/10W	J
R8905	NRSA02J-473X	CH MG R	47kΩ 1/10W	J
R8906	NRSA02J-182X	CH MG R	1.8kΩ 1/10W	J

CAPACITOR

C8010	QETN1HM-106Z	E CAP.	10μF 50V	M
C8015	QETN1EM-476Z	E CAP.	47μF 25V	M
C8016	NCF21EZ-104X	CH C CAP.	0.1μF 25V	Z
C8901	QFZ9075-104	MPP CAP.	0.1μF AC275V	M
C8902	QETN1CM-107Z	E CAP.	0.1μF AC276V	M

DIODE

D8001	SLR-342DU-T16	LED (ORG)		
D8002	SLR-342VR-T16	LED (RED)		
D8004	SPR-39MVWF	LED2 (G+R)		
D8006	MA111-X	CHIP DIODE		
D8007	MA111-X	CHIP DIODE		
D8901	MA111-X	CHIP DIODE		
D8902	MA111-X	CHIP DIODE		

TRANSISTOR

Q8001	DTC124EKA-X	DIGI TRANSISTOR		
Q8002	DTA124EKA-X	DIGI TRANSISTOR		
Q8003	DTA124EKA-X	DIGI TRANSISTOR		
Q8005	2SA1037AK/QR/-X	SI TRANSISTOR		
Q8006	DTC124EKA-X	DIGI TRANSISTOR		
Q8007	DTC124EKA-X	DIGI TRANSISTOR		
Q8901	25C2412K/QR/-X	CHIP TRANSISTOR		

IC

IC8001	GP1U281Q	IC		
--------	----------	----	--	--

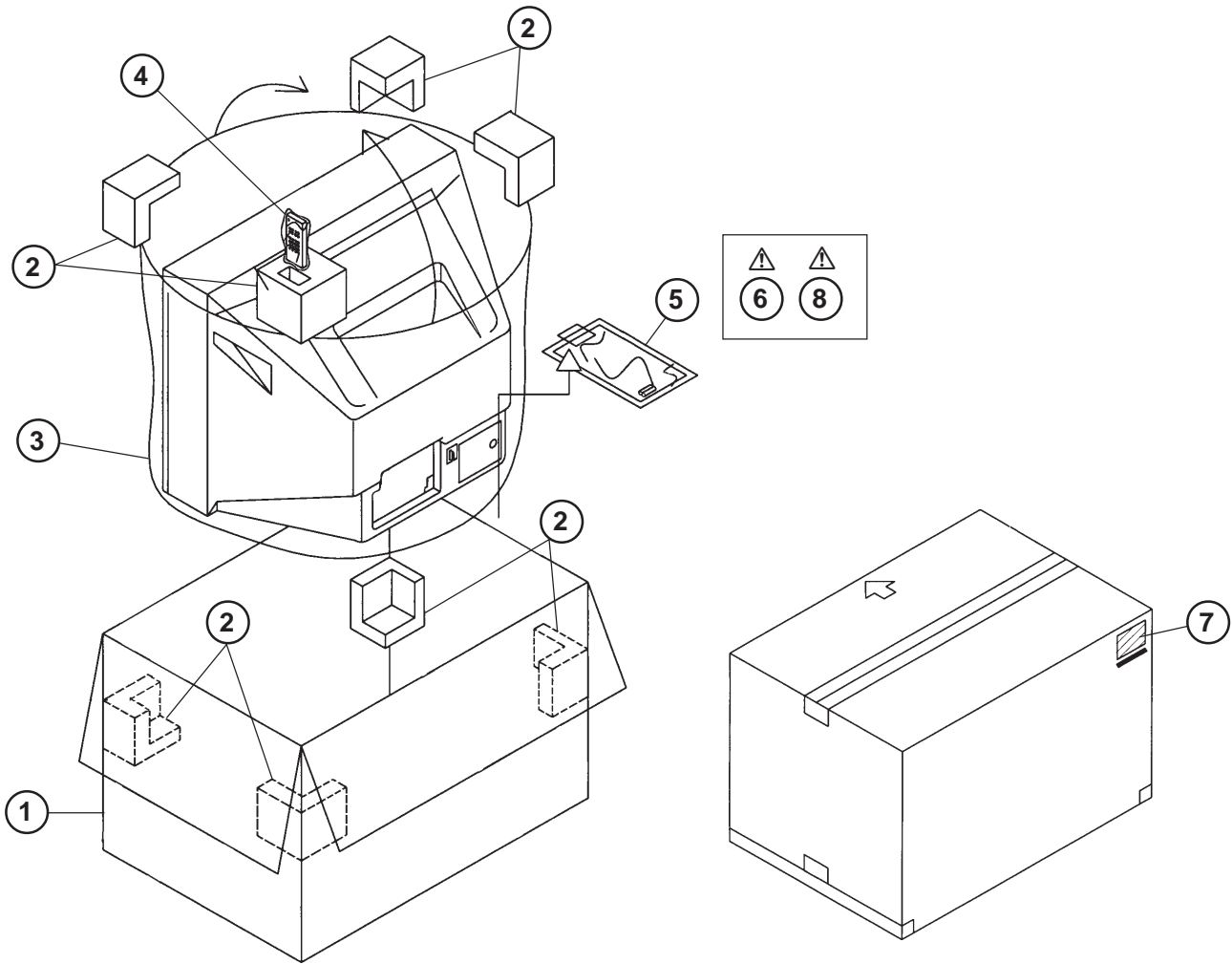
OTHERS

CN8002	CM35921-005-H	CDS HOLDER		
CN8003	CEM6002-001Z	FUSE CLIP (x2)		
J8901	CM36626-B01-H	LED HOLDER		
J8001	QGF1220C2-25	FFC/FPC CONNECTOR		
J8003	QGF1220C2-19	FFC/FPC CONNECTOR		
J8004	QMF51E2-3R15J4	FUSE		
J8005	QMS3004-C01	HEADPHONE JACK		
J8006	CEMNO72-001	PIN JACK		
J8007	CEMNO72-002	PIN JACK		
J8008	QQR1035-002	LINE FILTER		
J8009	P1241-04	CDS		

△ Symbol No.	Part No.	Part Name	Description	Local
OTHERS				
RY8901	QSK0061-001	RELAY		
S8002	QSW0619-003Z	PUSH SWITCH	CH+	
S8003	QSW0619-003Z	PUSH SWITCH	TV/VIDEO	
S8004	QSW0619-003Z	PUSH SWITCH	CH-	
S8005	QSW0619-003Z	PUSH SWITCH	VOL+	
S8006	QSW0619-003Z	PUSH SWITCH	MENU	
S8007	QSW0619-003Z	PUSH SWITCH	VOL-	
△ S8901	QSP4K21-C01	PUSH SWITCH	POWER	
TH8901	CEKP002-003	W POSISTOR		
TH8902	CEKP002-003	W POSISTOR		
△ VA8901	ERZV10V621CS	VARISTOR		

△ Symbol No.	Part No.	Part Name	Description	Local
--------------	----------	-----------	-------------	-------

PACKING



PACKING PARTS LIST

△ Ref.No.	Part No.	Part Name	Description	Local
1	GG10044-020A-H	PACKING CASE		
2	LC10595-002A-H	CUSHION ASSY	8 pcs. in 1 set	
3	CP30967-003-H	POLY BAG		
4	RM-C364-1H	REMOCON UNIT		
5	CP30966-001-H	POLY BAG		
△ 6	LCT0795-001A-H	INST BOOK		
7	CM47385-00B-H	POS/SERIAL LABEL		
△ 8	LCT0796-001A-H	DIGEST MANUAL		

REMOTE CONTROL UNIT PARTS LIST (RM-C364-1H)

△ Ref.No.	Part No.	Part Name	Description	Local
	3139 224 20073	BATTERY COVER		

